

- LEGEND**
- AFS - AIR FLOW SWITCH
  - CB - CIRCUIT BREAKER
  - CO - CONVENIENT OUTLET
  - CLG - COOLING
  - CR - CONTROL RELAY
  - ES - EMERGENCY SWITCH
  - FC - FREZESTAT
  - FLA - FULL LOAD AMPS
  - FU - FUSE
  - GFCI - GROUND FAULT CIRCUIT INTERUPTOR
  - Hp - HORSE POWER
  - HP - HIGH PRESSURE SWITCH
  - HTL - HIGH TEMPERATURE LIMIT
  - HTG - HEATING
  - ITS - INTERNAL TERMAL SENSOR
  - J - JUMPER
  - KW - KILOWATT
  - LLS - LIQUID LINE SOLENOID
  - LRA - LOCKED ROTOR AMPS
  - LP - LOW PRESSURE SWITCH
  - M - CONTACTOR
  - MP - MOTOR PROTECTOR
  - MCA - MINIMUM CIRCUIT AMPS
  - MCCB - MOULDED CASE CIRCUIT BREAKER
  - MFS - MAXIMUM FUSE SIZE
  - OL - OVERLOAD PROTECTOR
  - PL - PILOT LIGHT
  - PMR - PHASE MONITOR RELAY
  - POT - POTENTIOMETER
  - RLA - RATED LOAD AMPS
  - RA - RETURN AIR
  - SA - SUPPLY AIR
  - STG - STAGE
  - SW - SWITCH
  - TB - TERMINAL BLOCK
  - TR - TIMER RELAY
  - T - TRANSFORMER
  - TAS - THERMOSTAT
  - TS - TEMP. SENSOR
  - R - RED
  - G - GREEN
  - A - AMBER
  - VFD - VARIABLE FREQ. DRIVE
  - \* - FIELD SUPPLY
  - ▲ - MANUAL RESET
  - - FACTORY WIRING
  - - FIELD WIRING
  - △ - SEE NOTE 'n'
  - - CAM-LOCK

ELECTRICAL DATA			
MOTOR	Hp/kw	RLA	LRA
PUMP	15Hp	18A	116A
COMP 1~3	38.5Hp	48A	310A
C/FAN 1~6	2.5Hp	4.2A	25A

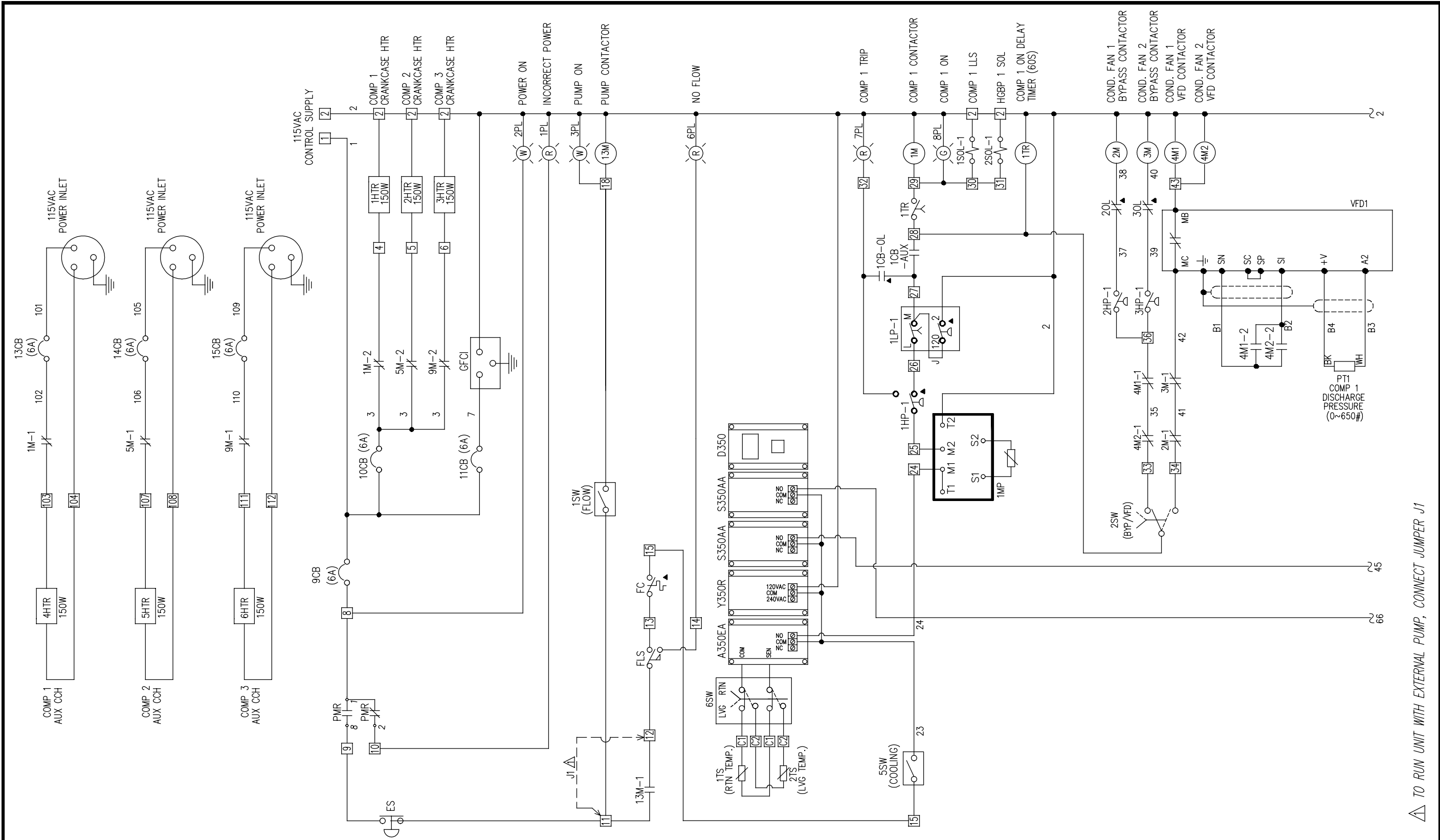
UNIT DATA	
FLA	187.2A
MCA	199A
MFS	250A


SET POINTS	
1FC	38F/MANUAL RESET
1HP	560#/MANUAL RESET
1LP	65#/MANUAL RESET
2HP	350# CUT IN#/295# CUT OUT
3HP	400# CUT IN#/345# CUT OUT
1TR, 2TR, 3TR	20SEC
1CB-OL, 3CB-OL, 5CB-OL	58A
2,3,6,7,10,11-OL	4.2A

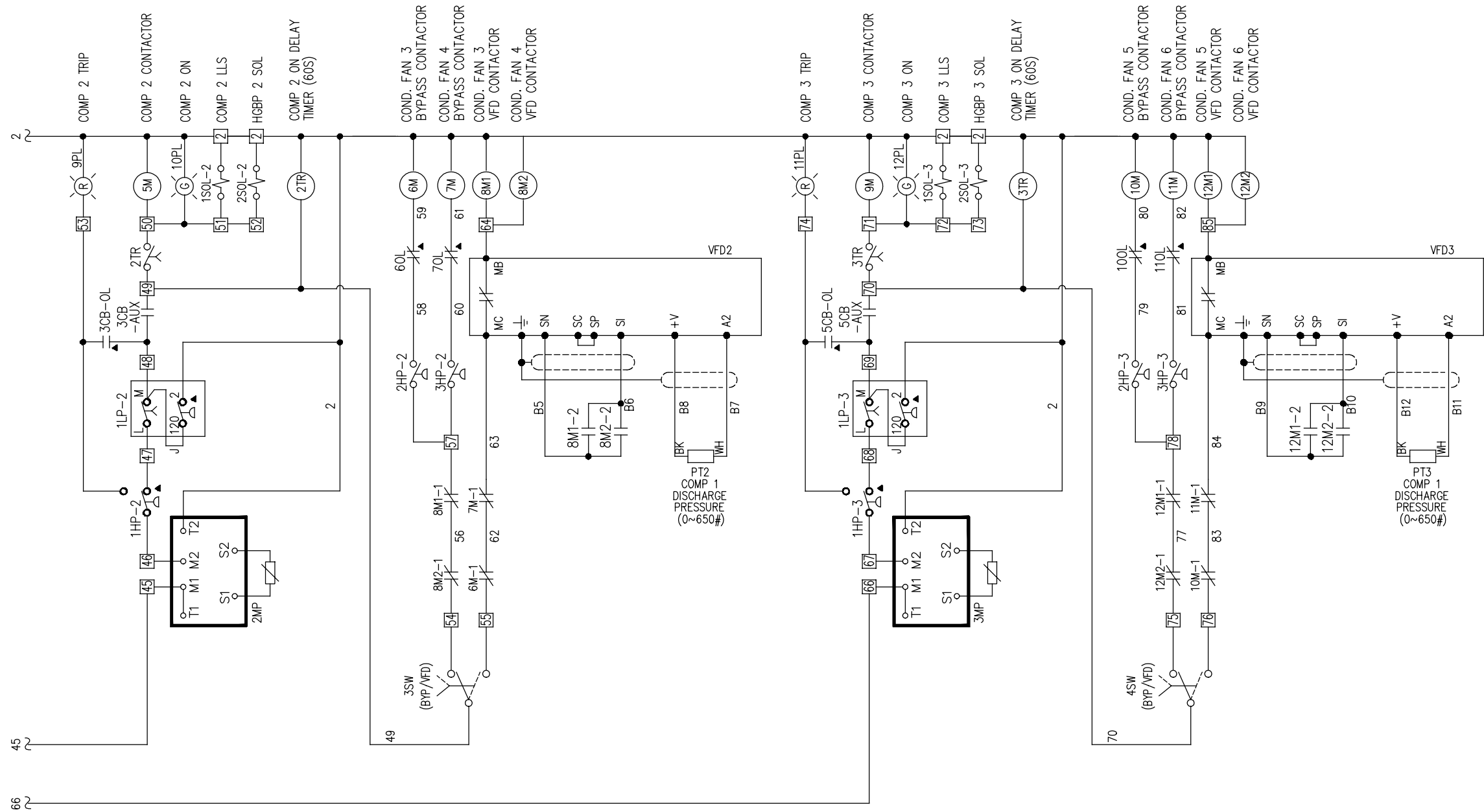
- CABLE SIZE**
- CONTROL - 14AWG
  - (A) - 6AWG, BLACK
  - (B) - 12AWG, BLACK
  - (C) - 10AWG, BLACK
  - (D) - 4/0 AWG, BLACK


						THIS DOCUMENT IS THE PROPERTY OF SMARTECH AND SHOULD NOT BE DISCLOSED OR USED WITHOUT THE EXPRESSED CONSENT OF COMPANY	PROJECT: <b>SCROLL RENTAL CHILLER</b>	 www.SmartCoolingProducts.com 281-540-2805		
02.	REFER PAGE 4 OF 5	24.03.17	JUN			DRAWN BY: JUN	DATE: 20/01/2017		MODEL: <b>SCOD 100AR4</b>	TITLE: <b>SCHEMATIC WIRING DIAGRAM</b>
01.	REVISED AS REVIEWED	27.02.17	JUN		LOW KC	CHECKED BY:	DATE:	UNIT NO: <b>19173</b>	DRAWING NO: S210720150	F.O NO:
REV.	DESCRIPTION	DATE	REV. BY	CHK'D. BY	APP'D BY	APPROVED BY: LOW KC	DATE: 19/01/2017		DRAWING NO: S210720150	F.O NO: 3



△ TO RUN UNIT WITH EXTERNAL PUMP, CONNECT JUMPER J1

02. 01.	REFER PAGE 4 OF 5 REVISED AS REVIEWED	24.03.17 27.02.17	JUN JUN	LOW KC	THIS DOCUMENT IS THE PROPERTY OF SMARTECH AND SHOULD NOT BE DISCLOSED OR USED WITHOUT THE EXPRESSED CONSENT OF COMPANY		PROJECT:	 www.SmartCoolingProducts.com 281-540-2805	
					APPROVED BY: LOW KC	DATE: 19/01/2017	MODEL:		
REV.	DESCRIPTION	DATE	REV. BY	CHK'D. BY	APP'D BY	APPROVED BY: LOW KC	DATE: 19/01/2017	UNIT NO:	19173
								TITLE:	SCHEMATIC WIRING DIAGRAM
								DRAWING NO:	S210720150
								SHEET	2
								F.O NO:	3



02. 01.	REFER PAGE 4 OF 5 REVISED AS REVIEWED	24.03.17 27.02.17	JUN JUN	LOW KC	THIS DOCUMENT IS THE PROPERTY OF SMARTECH AND SHOULD NOT BE DISCLOSED OR USED WITHOUT THE EXPRESSED CONSENT OF COMPANY		PROJECT:	 <b>SMART FAMILY OF COOLING PRODUCTS</b> <small>www.SmartCoolingProducts.com 281-540-2805</small>		
					SCOD 100AR4					
REV.	DESCRIPTION	DATE	REV. BY	CHK'D. BY	APP'D BY	APPROVED BY: LOW KC	DATE: 20/01/2017	MODEL:	19173	
							DATE: 19/01/2017	UNIT NO:		
							TITLE:		SCHEMATIC WIRING DIAGRAM	
							DRAWING NO:		S210720150	
							SHEET		3	
							F.O NO:		3	