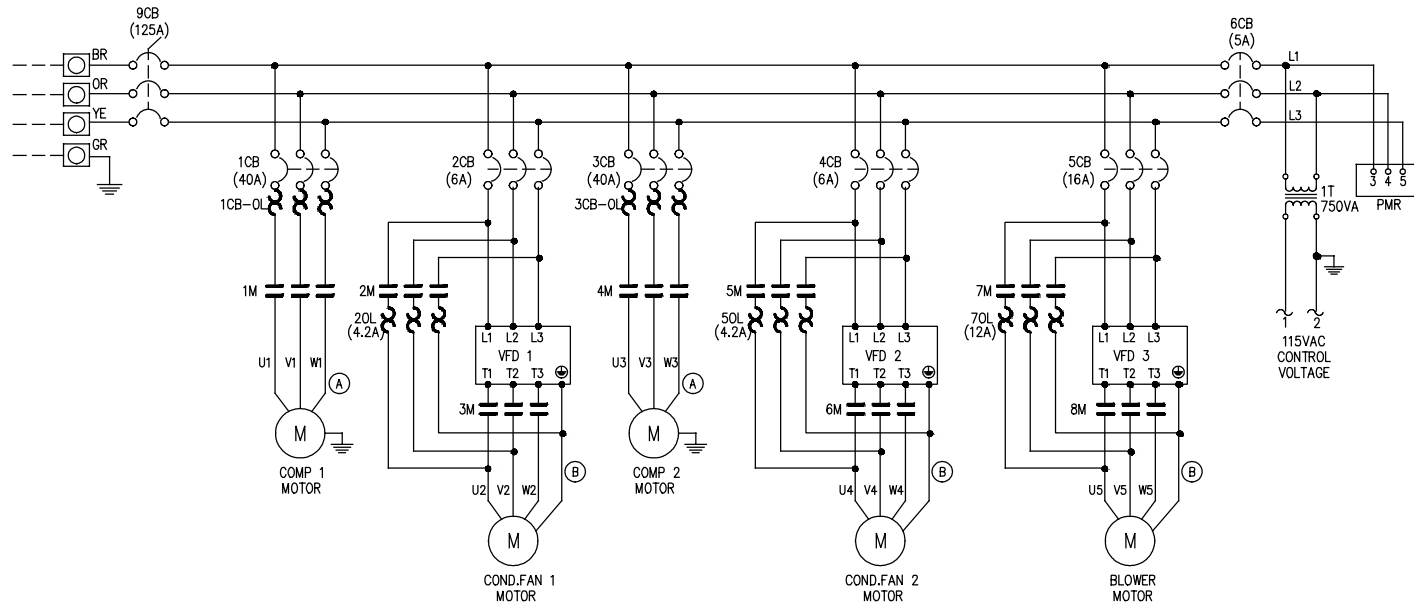


460V/3PH/60Hz  
 PROTECTED POWER SOURCE.  
 IF MCA LESS THAN 100A,  
 USE 60°C TYPE CABLE.  
 IF MCA MORE THAN 100A,  
 USE 75°C TYPE CABLE.  
 COPPER CONDUCTORS ONLY.



CABLE SIZE  
 CONTROL - 14AWG  
 (A) - 6AWG, BLACK  
 (B) - 10AWG, BLACK  
 (C) - 12AWG, BLACK


ELECTRICAL DATA			
MOTOR	HP/KW	RLA	LRA
BLOWER	10HP	11.6A	81A
COMP 1&2	20HP	31A	225A
C/FAN 1&2	2HP	4.2A	25A

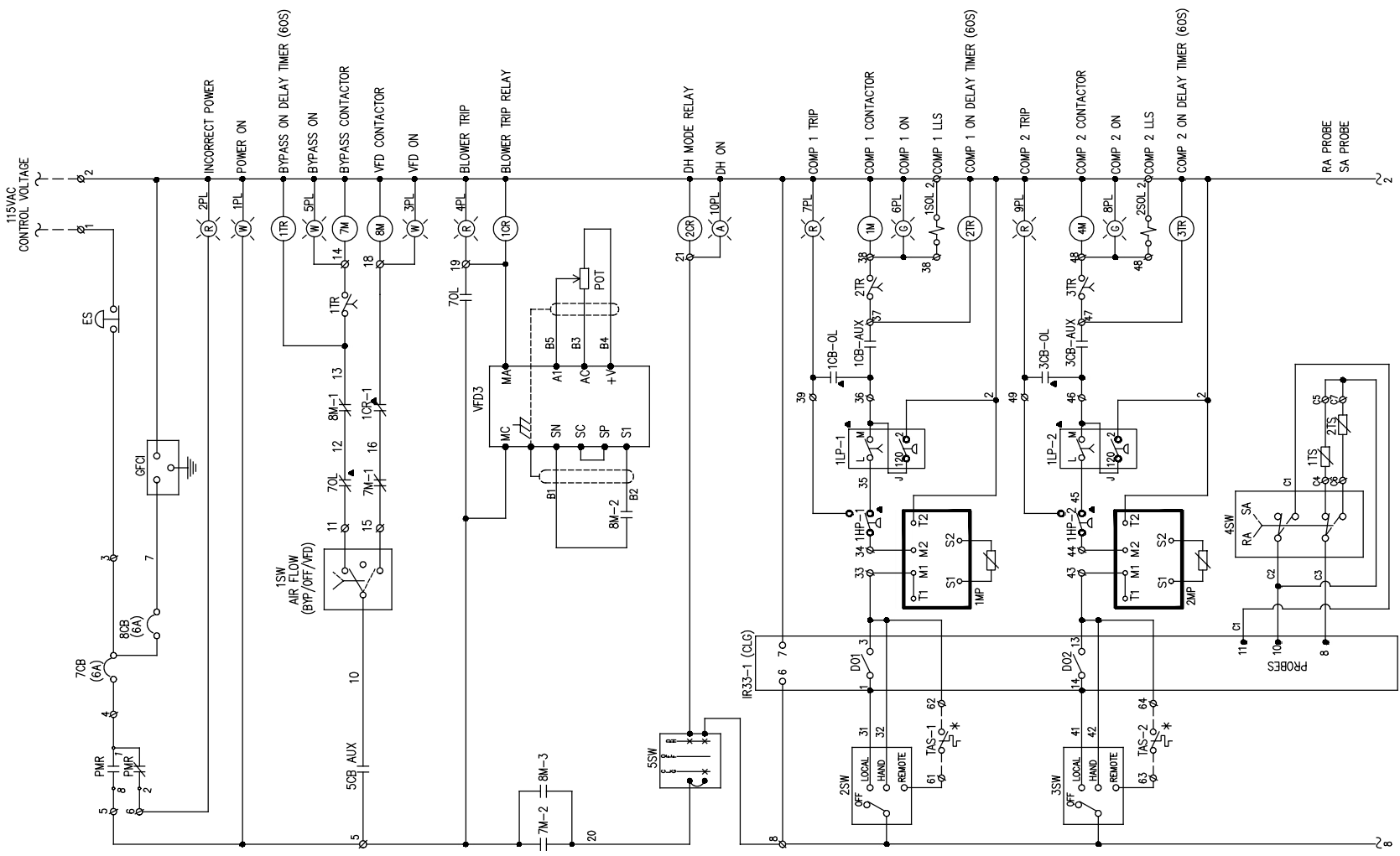
UNIT DATA	
FLA	82A
MCA	90A
MFS	125A


SET POINTS	
1HP	560#/MANUAL RESET
2HP	350#/CUT IN/295# CUT-OUT
1LP	65#/MANUAL RESET
1TR, 2TR, 3TR	60 SEC
1CB-OL, 3CB-OL	38A
50L	12A

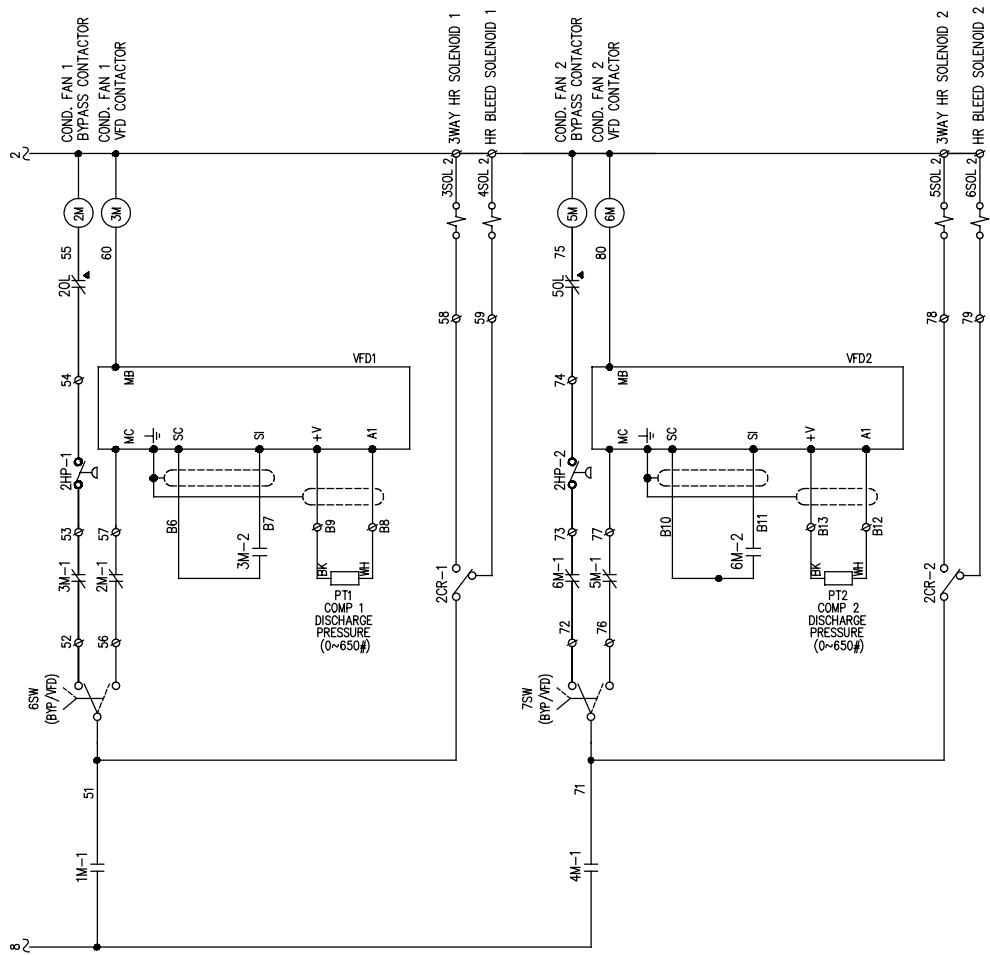
IR33 SETTINGS	
IR33-1 (CLG)	70F (BY RA PROBE) 55F (BY SA PROBE)


LEGEND	
AFS	- AIR FLOW SWITCH
CB	- CIRCUIT BREAKER
CO	- CONVENIENT OUTLET
CR	- CONTROL RELAY
ES	- EMERGENCY SWITCH
FLA	- FULL LOAD AMPS
FU	- FUSE
GFCI	- GROUND FAULT CIRCUIT INTERRUPTOR
Hp	- HORSE POWER
HP	- HIGH PRESSURE SWITCH
HTL	- HIGH TEMPERATURE LIMIT SWITCH
ITS	- INTERNAL THERMAL SENSOR
J	- JUMPER
KW	- KILOWATT
LLS	- LIQUID LINE SOLENOID
LRA	- LOCKED ROTOR AMPS
LP	- LOW PRESSURE SWITCH
M	- CONTACTOR
MP	- MOTOR PROTECTOR
MCA	- MINIMUM CIRCUIT AMPS
MCCB	- MOULDED CASE CIRCUIT BREAKER
MFS	- MAXIMUM FUSE SIZE
OL	- OVERLOAD PROTECTOR
PL	- PILOT LIGHT
PMR	- PHASE MONITOR RELAY
POT	- POTENTIOMETER
RLA	- RATED LOAD AMPS
STG	- STAGE
SW	- SWITCH
TB	- TERMINAL BLOCK
TR	- TIMER RELAY
T	- TRANSFORMER
TS	- TEMP. SENSOR
R	- RED
G	- GREEN
A	- AMBER
VFD	- VARIABLE FREQ. DRIVE
*	- FIELD SUPPLY
▲	- MANUAL RESET
—	- FACTORY WIRING
—	- FIELD WIRING
△	- SEE NOTE 'n'
□	- CAM-LOCK

05. DELETE 1TB 04. SEE PAGE 3 & 4 03. ADD VFD 1 & 2 02. VFD TERMINALS REVISED 01. SEE PAGE 2, 3 & 4	06.04.17 24.03.17 16.03.17 27.02.17 09.01.17	JUN JUN JUN JUN	JUN	APP'D BY	THIS DOCUMENT IS THE PROPERTY OF SMARTECH AND SHOULD NOT BE DISCLOSED OR USED WITHOUT THE EXPRESSED CONSENT OF COMPANY		PROJECT:	 www.SmartCoolingProducts.com 281-640-2805					
					LOW KC LOW KC LOW KC LOW KC	DRAWN BY: JUN	DATE: 05/01/2017		MODEL:	SHCP 45A-HS	TITLE:	SCHEMATIC WIRING DIAGRAM	
REV.	DESCRIPTION	DATE	REV. BY	CHK'D. BY	APP'D BY	APPROVED BY: LOW KC	DATE: 05/01/2017	UNIT NO:	19027	DRAWING NO:	S210840192	F.O NO:	
								SHEET	1				



REV.	05. SEE PAGE 3, 4 & 5	06.04.17	JUN	CHK'D. BY	APP'D BY	THIS DOCUMENT IS THE PROPERTY OF SMARTTECH AND SHOULD NOT BE DISCLOSED OR USED WITHOUT THE EXPRESSED CONSENT OF COMPANY		PROJECT: SHCP 45A-HS Rentalized Dehumidifier		 <b>SMART FAMILY OF COOLING PRODUCTS</b> <small>www.SmartCoolingProducts.com 281-540-2805</small>
	04. SEE PAGE 3 & 4					24.03.17	JUN	LOW KC	DRAWN BY: JUN	
	03. ADD VSD	16.03.17	JUN							
	02. ADD 10PL/VSD TERMINAL REVISED	27.02.17	JUN							
	01. REVISED DIAGRAM	09.01.17	JUN							
						APPROVED BY: LOW KC	DATE: 05/01/2017	UNIT NO: 19027	DRAWING NO: S210840192	F.O NO:
									SHEET 2	



05. 04. 03. 02. 01.	REVISED VFD1 & VFD2 CONNECTION UPDATE NUMBERING ADD VSD ADD 10PL/VSD TERMINAL REVISED REVISED DIAGRAM	06.04.17 24.03.17 16.03.17 27.02.17 09.01.17	JUN JUN JUN JUN JUN	CHK'D. BY	APP'D BY	THIS DOCUMENT IS THE PROPERTY OF SMARTECH AND SHOULD NOT BE DISCLOSED OR USED WITHOUT THE EXPRESSED CONSENT OF COMPANY		PROJECT: SHCP 45A-HS Rentalized Dehumidifier	 <b>SMART FAMILY OF COOLING PRODUCTS</b> <small>www.SmartCoolingProducts.com 281-540-2805</small>
						LOW KC LOW KC LOW KC LOW KC	DRAWN BY: JUN DATE: 05/01/2017	MODEL: SHCP 45A-HS	
REV.	DESCRIPTION	DATE	REV. BY	CHK'D. BY	APP'D BY	APPROVED BY: LOW KC DATE: 05/01/2017	UNIT NO: 19027	DRAWING NO: S210840192 SHEET 3	F.O NO: