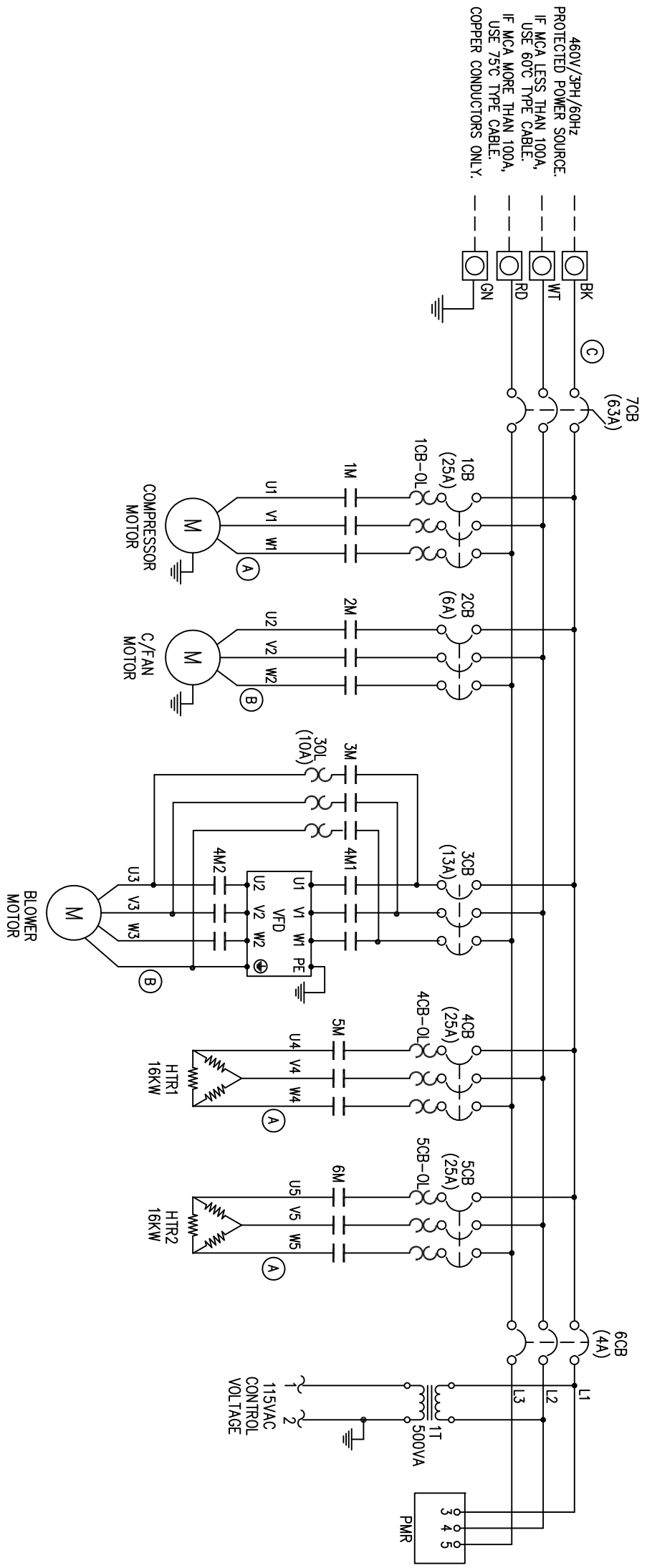


ELECTRICAL DATA			
MOTOR	HP/kW	RLA	LRA
BLOWER	7.5HP	8.7A	64A
COMPRESSOR	10HP	16A	140A
C/FAN	2HP	4.0A	25A
HTR 1~2	18kW	20A	-
UNIT DATA			
FLA	48.7A		
MCA	61A		
MFS	63A		
SET POINTS			
1HP	560#/MANUAL RESET		
2HP	350#/CUT IN/295#/CUT-OUT		
11P	65#/MANUAL RESET		
1TR, 2TR	60 SEC		
10B-OL	20A		
30L	10A		
IR33 SETTINGS			
IR33-1 (CLG)	70F (BY RA PROBE)		
	55F (BY SA PROBE)		
	78F (BY RA PROBE)		
IR33-2 (HTG)	95F (BY SA PROBE)		



CABLE SIZE

CONTROL - 14AWG
 (A) - 10AWG, BLACK
 (B) - 12AWG, BLACK
 (C) - 4AWG, BLACK

- LEGEND**
- AFS - AIR FLOW SWITCH
 - CB - CIRCUIT BREAKER
 - CO - CONVENIENT OUTLET
 - CR - CONTROL RELAY
 - ES - EMERGENCY SWITCH
 - FLA - FULL LOAD AMPS
 - FU - FUSE
 - GFCI - GROUND FAULT CIRCUIT INTERRUPTOR
 - Hp - HORSE POWER
 - HP - HIGH PRESSURE SWITCH
 - HTL - HIGH TEMPERATURE LIMIT
 - ITS - INTERNAL THERMAL SENSOR
 - J - JUMPER
 - KW - KILOWATT
 - LIS - LIQUID LINE SOLENOID
 - LRA - LOCKED ROTOR AMPS
 - LP - LOW PRESSURE SWITCH
 - M - CONTACTOR
 - MP - MOTOR PROTECTOR
 - MCA - MINIMUM CIRCUIT AMPS
 - MCCB - MOULDED CASE CIRCUIT BREAKER
 - MFS - MAXIMUM FUSE SIZE
 - OL - OVERLOAD PROTECTOR
 - PL - PILOT LIGHT
 - PMR - PHASE MONITOR RELAY
 - POT - POTENTIOMETER
 - RA - RETURN AIR
 - RLA - RATED LOAD AMPS
 - SA - SUPPLY AIR
 - STG - STAGE
 - SW - SWITCH
 - TB - TERMINAL BLOCK
 - TR - TIMER RELAY
 - T - TRANSFORMER
 - TAS - THERMOSTAT
 - TS - TEMP. SENSOR
 - R - RED
 - G - GREEN
 - A - AMBER
 - VFD - VARIABLE FREQ. DRIVE
 - * - FIELD SUPPLY
 - ▲ - MANUAL RESET
 - ▬ - FACTORY WIRING
 - ▬ - FIELD WIRING
 - ▬ - SEE NOTE 'n'
 - ◻ - CAM-LOCK

THIS DOCUMENT IS THE PROPERTY OF SMARTTECH AND SHOULD NOT BE DISCLOSED OR USED WITHOUT THE EXPRESSED CONSENT OF COMPANY

REV.	DESCRIPTION	DATE	REV. BY	CHK'D. BY	APP'D BY
03.	SEE SHEET 3 OF 3	05.02.2015	ANA	HANIS	LOW KC
02.	ADDED 4CB-OL & 5CB-OL	11.12.2014	ANA	ANA	LOW KC
01.	ADDED DEHUMIDMODE	03.11.2014	ANA	-	LOW KC

DRAWN BY:	CHECKED BY:	APPROVED BY:	DATE:
ANA	HANIS	LOW KC	23.10.2014
ANA	HANIS	LOW KC	27.10.2014
ANA	LOW KC	LOW KC	27.10.2014

PROJECT:	MODEL:	UNIT NO:
SACP12A-HS	SACP 12A-HS	-

SMARTTECH.

TITLE: SCHEMATIC WIRING DIAGRAM

DRAWING NO: S210840144

F.O NO: SHEET 1

REV.	DESCRIPTION	DATE	REV. BY	CHK'D. BY	APP'D. BY	APPROVED BY: LOW KC	DATE: 27.10.2014	UNIT NO:	SHEET 2	F.O. NO:
01.	ADDED DEHUMIDMODE	03.11.2014	ANA	HANIS	LOW KC	CHECKED BY: HANIS	DATE: 27.10.2014			
02.	ADDED TAS-4	11.12.2014	ANA		LOW KC					
03.	SHEE SHEET 3 OF 3	05.02.2015	ANA		LOW KC	DRAWN BY: ANA	DATE: 23.10.2014	MODEL: SACP 12A-HS		

THIS DOCUMENT IS THE PROPERTY OF SMARTTECH AND SHOULD NOT BE DISCLOSED OR USED WITHOUT THE EXPRESSED CONSENT OF COMPANY

PROJECT: SACP12A-HS

TITLE: SCHEMATIC WIRING DIAGRAM

