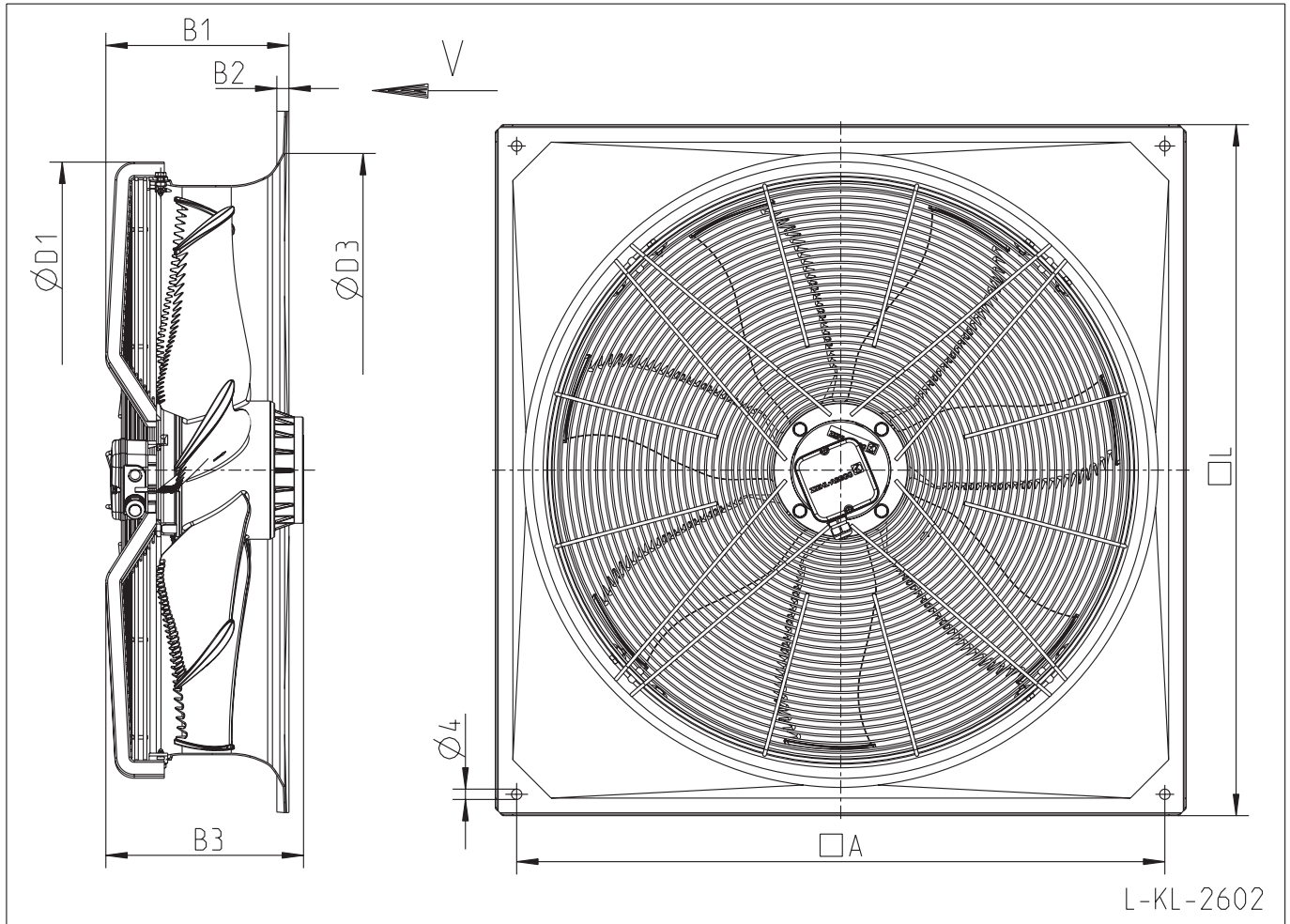


FE2owlet

FN080- _ DQ.6 _ V7

Luffförrichtung <i>Airflow direction</i>	V
Bauform <i>Design</i>	Q
Flügelmaterial <i>Material of impeller</i>	Aluminium <i>Aluminium</i>

**FN
080**



L-KL-2602

Typ <i>Type</i>	Artikel-Nr. <i>Article no.</i>	B1	B2	B3	D1	D3	D4	A	L
FN080-SDQ.6N.V7	138 292 (M)*	273	17	295	885	890	14,5	910	970
FN080-SDQ.6N.V7	138 758 (R)*	257	17	277	866	890	14,5	910	970
FN080-ADQ.6N.V7	138 293 (M)*	273	17	295	885	890	14,5	910	970
FN080-ADQ.6N.V7	138 764 (R)*	257	17	277	866	890	14,5	910	970
FN080-NDQ.6F.V7	138 294 (R)*	257	17	227	866	890	14,5	910	970

* (M) Maschengitter / *mesh grille* (R) Ringgitter / *ring grille*